



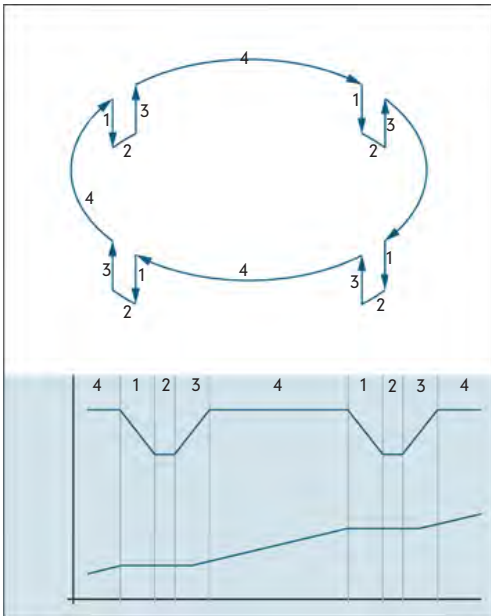
# Pick and Place Unit

Rotary Indexer

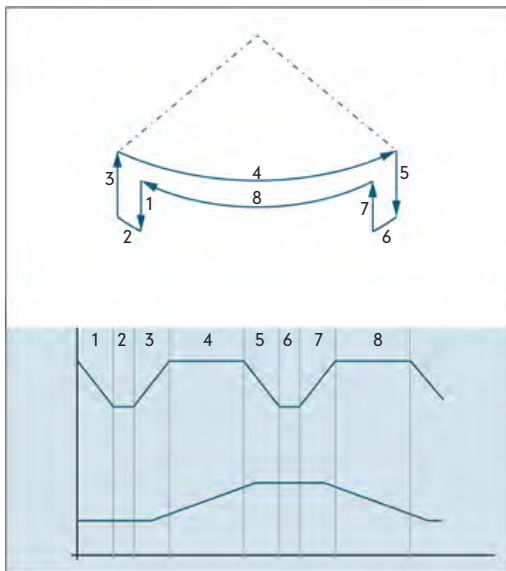
# Pick and Place Units

Available Courses of Motion

## Pick and Place Unit Drive: Indexes in one direction



## Pendulum Pick and Place Unit Drive: Indexes in one direction



## Series GH

- Single drive for pick and place
- Right angle cam for rotation
- Flat cam for lift
- The relationship between lift and rotation can be customized
- Compact, durable unit
- Optional thru-hole

## GH 100

Vertical stroke [mm]	55°
Rotation	80°
Pendulum	90°



## Series RT + VP

- Standard indexer for rotating
- Pneumatic cylinder for lifting
- Pick and placing are independently controlled from each other
- Compact, durable unit
- Optional thru-hole

## RT100 + VT30

Vertical stroke [mm]	30°
Rotation	180°
Pendulum	90°

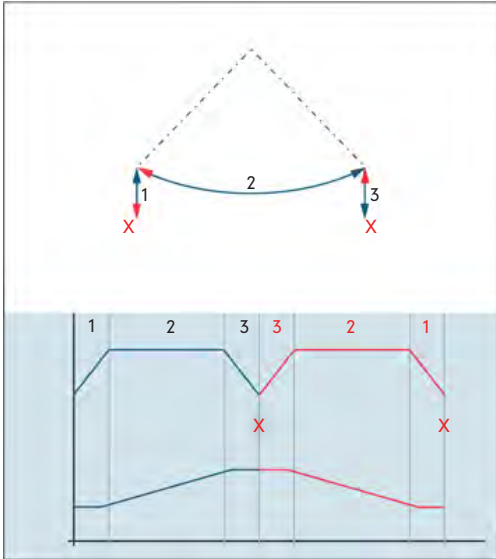


\* larger pendulum angle by changing the rotating direction of the drive



# Pick and Place Unit

Drive changes rotating direction at X



## Series RH

- Single drive for pick and place
- Barrel cam for rotation
- Flat cam for lift
- Compact, durable unit
- Optional thru-hole
- Maintenance-free lubrication

## RH 100

Vertical stroke [mm]	30°
Rotation	90°
Pendulum	60°



## Series PH

- Single drive for pick and place
- Barrel cam for lift
- Large torque with use of flat cam
- Flat cam for rotation
- Compact, durable unit
- Optional thru-hole
- Maintenance-free lubrication

## PH 065

Vertical stroke[mm]	40°
Rotation	180°
Pendulum	90°



\*All units are customized based on the requirements of each application. With the combination options of cylinder, disk cam, disc groove, globoid, pneumatics and servo technology results in a large variety of pick and place solutions.



# Pick and Place Units

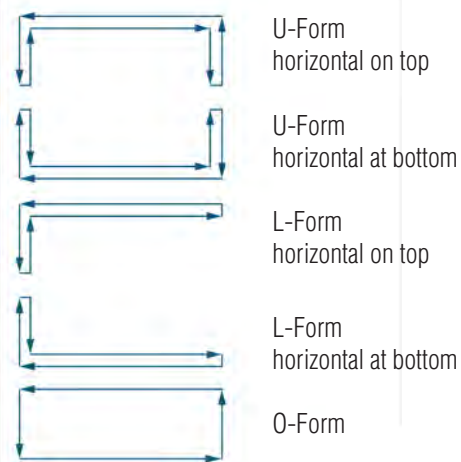
## Series RT + VP

- Standard indexer for rotating
- Pneumatic cylinder for lifting
- Lifting and rotating are independently controlled from each other
- Compact, durable unit
- Optional thru-hole

## Series HDM

- Two different servo drives for lift and rotate
- Vertical stroke and rotating angle are fully programmable
- Customized servo drives are optional
- Course of motion controlled by servo
- Maintenance-free lubrication
- Optional thru-hole

## Linear Units - Available course of motion



## RT100 + VP300

Vertical stroke [mm]	300°
Rotation	180°
Pendulum	90°



## HDM 30

Vertical stroke [mm]	55°
Rotation	free

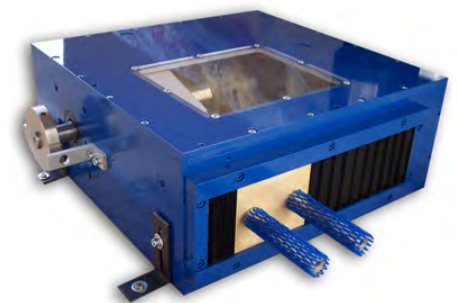


## Series AL

- Common drive for lift and rotation
- Flat cam for rotation
- Flat cam for lift
- Vertical stroke protected by a spring
- Compact, durable unit
- Many available courses of motion
- Multiple units can be connected using a common shaft

## AL 80

Vertical stroke [mm]	35°
Horizontal stroke [mm]	80°



\* larger pendulum angle by changing the rotating direction of the drive





**MOTION**  
INDEX DRIVES

1204 East Maple Troy MI 48083  
P: 248-743-9999 F: 248-743-0749  
[info@mid.us.com](mailto:info@mid.us.com)  
[www.motionindexdrives.com](http://www.motionindexdrives.com)