

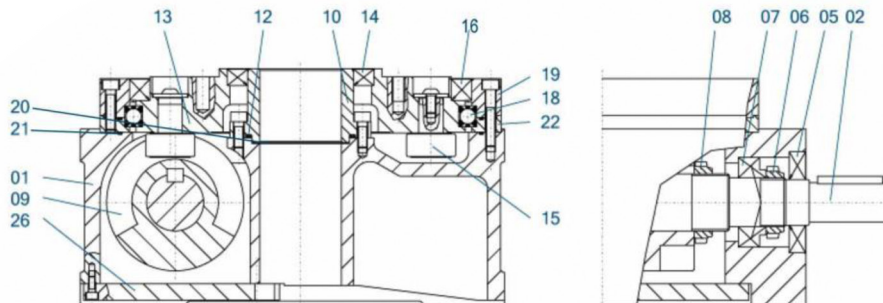
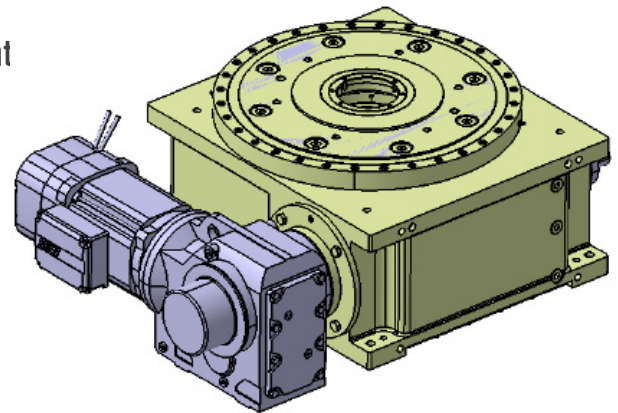


Spare Parts and Wear Parts

MOTION Index Drives, Inc. rotary index tables are practically maintenance-free. The cam followers do not cause any wear and tear on the hardened cam tracks; all roller bearings are oversized and ran through an oil bath. For reasons of safety, only replacement parts which are of the same quality as the original parts may be used. When ordering, please give the following data.

- Model number, see type plate
- Name, see table below
- Quantity

Wear parts are marked (x). Please order replacements parts set. The quantity or amount n^* of the cam followers and lubricants depend on the model and design of the Rotary Index Table.



Spare Parts and Wear Parts

Number	Quantity	Name	Part Number	Number	Quantity	Name	Part Number
01	1	Casing		14(x)	N/A	Inner Top Dial Seal	
02	1	Input Shaft	25-10031	15(x)	n^*4	Cam Follower	06-10091
05(x)	2	Shaft Seal	24-10057	26	1	Housing Cover	
06(x)	2	Groove Nut	09-10081	18(x)	1	Four Point Bearing	26-10014
07(x)	2	Tapered Roller Bearing	03-10035	19(x)	1	Adjustment Ring for Four Contact Bearing	
08(x)	1	Groove Nut	09-10082	20(x)	1	O-Ring	
09	1	Barrel Cam	15-10019	21(x)	1	O-Ring	
10	1	Central Column		22(x)	1	Center Ring Four Point Contact Bearing	
12(x)	1	O-Ring		Please see 3D Model		Gear Motor	11-10349
13	1	Output Flange / Drive Flange					