



## Inquiry and Order Form

Company \_\_\_\_\_

E-Mail Address \_\_\_\_\_

Contact Person \_\_\_\_\_

Project no. / Order no. \_\_\_\_\_

Tel. / Fax \_\_\_\_\_

Date \_\_\_\_\_

Address \_\_\_\_\_

## Static Torque

Required Accuracy \_\_\_\_\_

Number of stops / stations \_\_\_\_\_

Index Angle \_\_\_\_\_

Mounting Position no.    1    2    3    4    5    6

Brake     Yes     No

Additional specifications [temperature sensor, connector assembly, brand...]

\_\_\_\_\_

Index Plate \_\_\_\_\_

Diameter \_\_\_\_\_

Thickness [mm] \_\_\_\_\_

Material or weight \_\_\_\_\_

Fixtures and workpieces \_\_\_\_\_

Quantity / # of Stations \_\_\_\_\_

Mass / Station [kg] \_\_\_\_\_

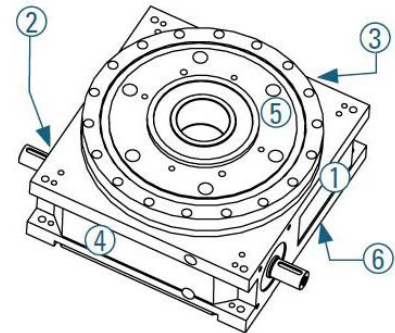
Center of Gravity [mm] \_\_\_\_\_

Required index time [s] \_\_\_\_\_

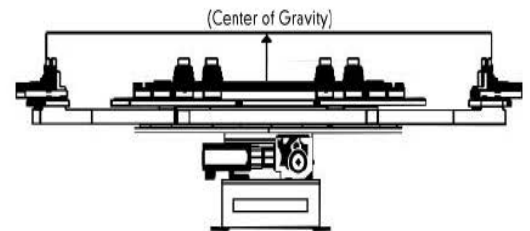
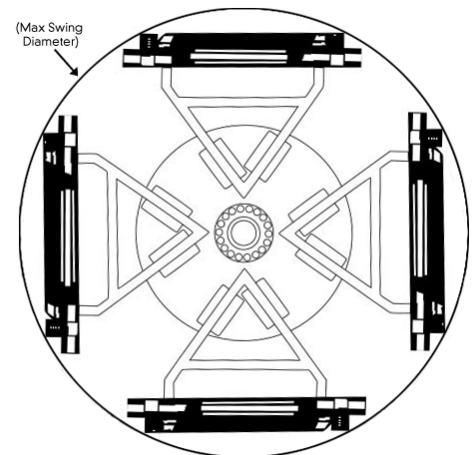
Number of cycles [1 / min] \_\_\_\_\_

Required service life [actual cycle time, normal 12,000h] \_\_\_\_\_

Additional forces, frictions and loads [please give details] \_\_\_\_\_



\*Possible Trunnions orientations



\* All inertia values still apply